

# SMD Monolithic Crystal Filters

## DSF753S 4POLE (SBF TYPE)



### ■ Features

- 7.0×5.0×1.3mm, lightweight (0.15g) and miniature SMD crystal filter.
- 4 pole function in a single package.
- Excellent shock and vibration resistance.

### ■ Applications

- Radio communications

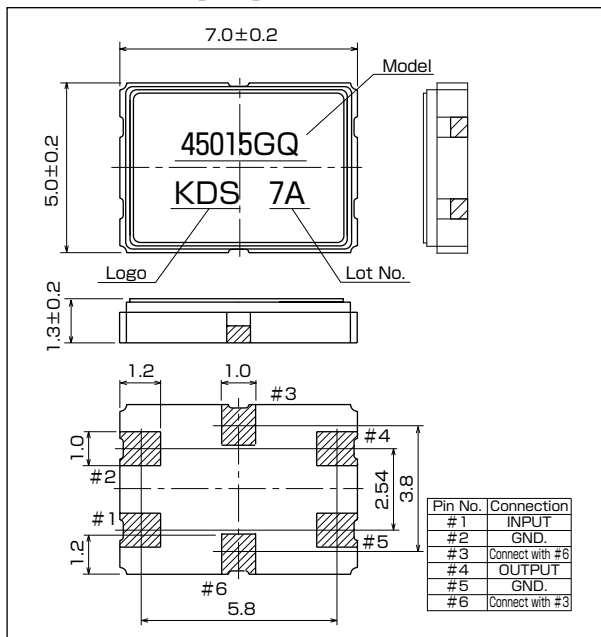


### ■ Standard Specification

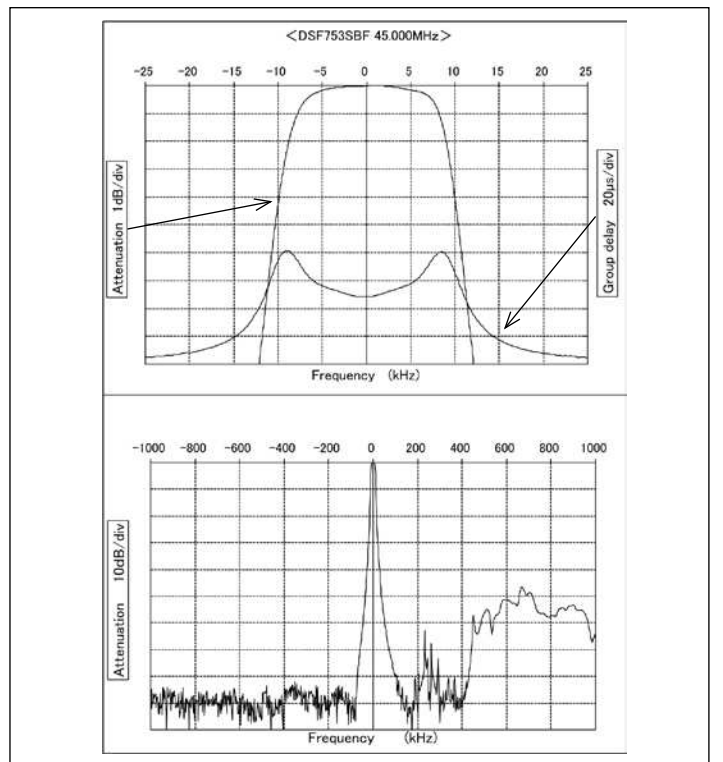
Type	DSF753SBF				
Model	D38807GQ	D45015GQ	D49915GQ	D51610GQ	D55008GQ
Pole	4	4	4	4	4
Overtone Order	Fundamental	Fundamental	Fundamental	Fundamental	Fundamental
Nominal Frequency	38.850 MHz	45.000 MHz	49.950 MHz	51.650 MHz	55.025 MHz
Pass Bandwidth	±3.75kHz min./3dB	±7.5kHz min./3dB	±7.5kHz min./3dB	±5kHz min./3dB	±4kHz min./3dB
Stop Bandwidth	±15kHz max./35dB	±22kHz max./25dB	±25kHz max./35dB	±22kHz max./30dB	±12.5kHz max./25dB
Ripple	1dB max.	1dB max.	1dB max.	1dB max.	1dB max.
Insertion Loss	4dB max.	4dB max.	4dB max.	4dB max.	6dB max.
Guaranteed Attenuation	80dB min.	80dB min.	80dB min.	80dB min.	80dB min.
Terminating Impedance	560Ω//5pF Cc=13pF	600Ω//2pF Cc=10pF	400Ω//4.5pF Cc=14pF	400Ω//2.5pF Cc=18pF	220Ω//5pF Cc=24pF
Operating Temperature Range	-20~+70°C				
Packing Unit	1000pcs./reel(φ 180)				

Consult our sales representative for other specifications.

### ■ Dimensions[mm]

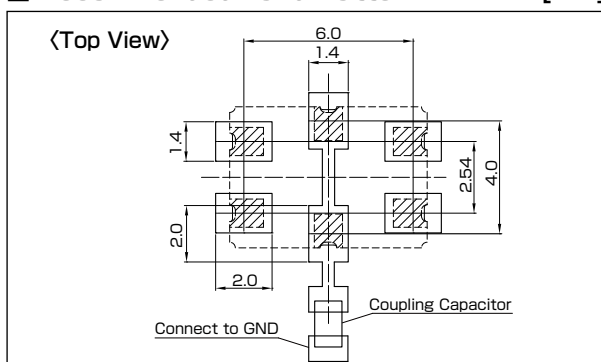


### ■ Characteristics Chart (fo=45MHz, P=±7.5kHz)



### ■ Recommended Land Pattern

[mm]



### ■ Measurement Circuit

